

NDiS M422

AMD Embedded G Series -Based OPS Digital Signage Platform



Main Features

- AMD G Series T56N 1.65GHz Dual-Core APU
- Integrated AMD Radeon™ HD6320
- Designed compliant with open pluggable standard
- Low Power Consumption
- Easy maintenance and upgrade
- TV tuner/ WLAN support
- DirectX 11 Support

Product Overview

NDiS M422 is specifically designed to be compliant with OPS (Open Pluggable Standard). NDiS M422 provides pluggable 2.5" storage device scalability, easy to change DRAM and expand modules by Mini Card. NDiS M422 is powered by AMD G Series T56N 1.65GHz Dual-Core APU with high graphic performance and low power consumption. NDiS M422 is a powerful media player for digital signage applications demonstrate high impact contents in compact size and perfect match with panel.

Specifications

CPU Support

- AMD G-series Dual-Core Processor T56N 1.65GHz Onboard

Chipset

- AMD A50M Fusion Controller Hub

Graphic

- AMD Radeon™ HD6320

Main Memory

- 1 x 204 pin SO-DIMM socket, support DDR3 1333MHz with un-buffered and non-ECC SDRAM up to 8GB

I/O Interface-Front

- 1 x Power button
- 1 x Power LED
- 1 x Reset button
- 1 x HDD LED
- 2 x USB2.0
- 1 x HDMI
- 1 x Audio Line-in
- 1 x Audio Line-out
- 1 x RJ45 with LEDs for Gigabit LAN
- 1 x RJ45 for RS-232
- 1 x 2.5" HDD slot
- 2 x Antenna hole

I/O Interface-Rear

- 1x TMDs
- 1x UART
- 1x Audio out L/R
- 3x USB2.0
- DC input +12V~+19V
- Control signals (PWR_STATUS, PS_ON#, PB_DET, CEC, SYS_FAN)

Storage Device

- 1 x 2.5" SATA Storage Bay for HDD / SSD

Expansion

- 1 x Mini-PCIe for optional WLAN/ TV tuner module

Dimensions

- 200mm (W) x 119mm (D) x 30mm (H) (7.8" x 4.7" x 1.1")

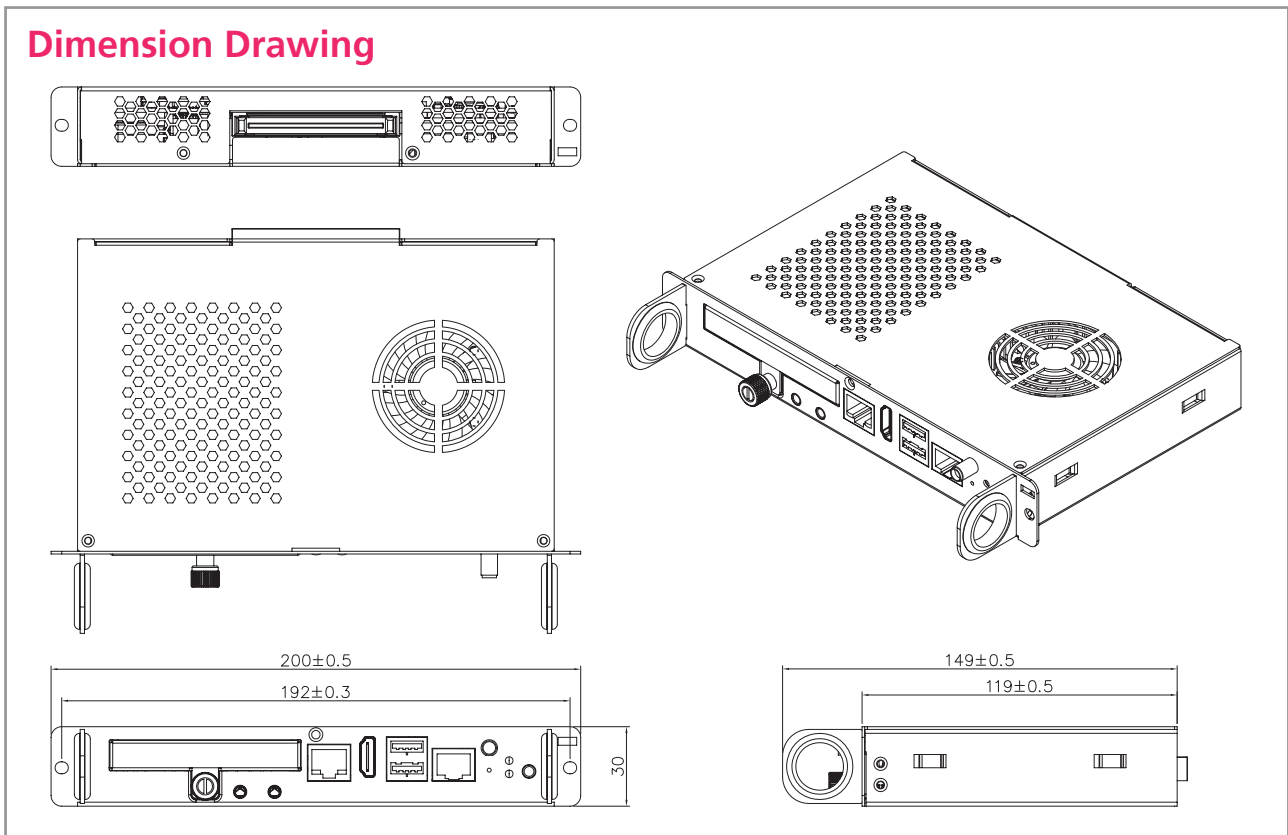
Power Power Supply

- DC power input +12V~19V

Environment

- Operating temperature: ambient with air flow from 0°C to 45°C
- Storage temperature: -20°C to 80°C
- Humidity: 10 to 90% (non-condensing)

Dimension Drawing



Certification

- CE approval
- FCC Class A

Operating System

- Windows XP/WES 2009/Windows 7 / WES7 / Linux

Ordering Information

- **NDiS M422 (P/N: 10W00M42200X0)**

AMD G-series Dual-Core Processor T56N 1.65GHz Onboard OS Support, AMD A50M Fusion Controller Hub